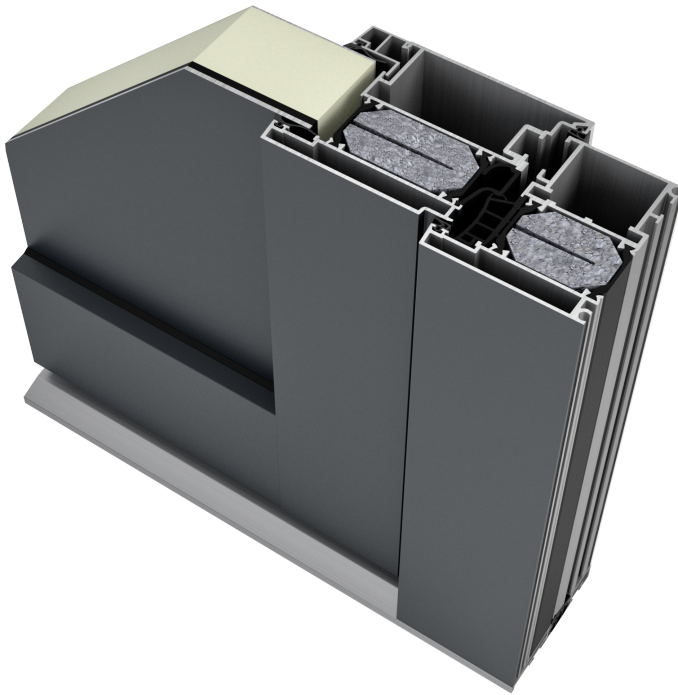




# AT 500 ALUMINIUM-FRONT DOOR




## CHARACTERISTICS

 **Thermal insulation** (in W/m<sup>2</sup>K)  
U<sub>D</sub> up to 0,87

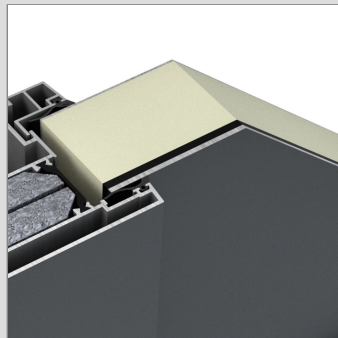
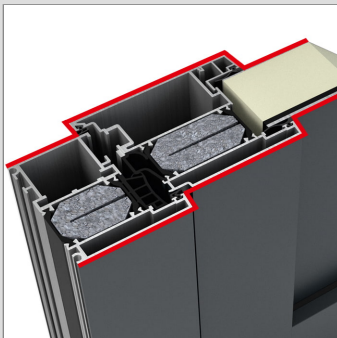
 **Sound reduction** (in dB)  
up to 40

 **Security**  
up to RC3

 **Locking**  
Multi-locking

 **Profile depth** (in mm)  
93

**I-tec Open**

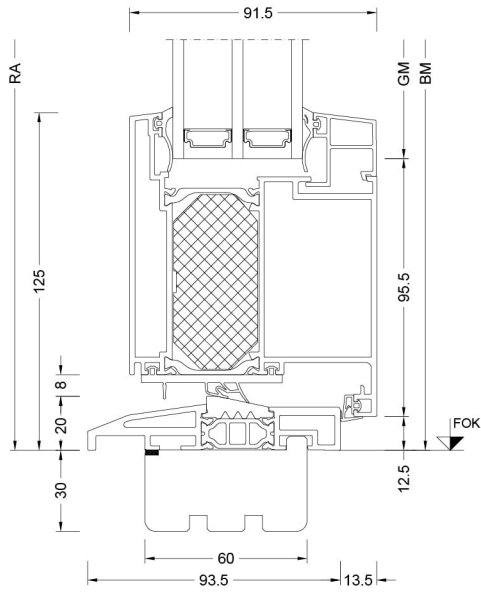


This system is characterised internally and externally by a profiled design and clean, square shapes. Different design options provide countless design possibilities. Security options offer outstanding burglary protection up to RC 3.

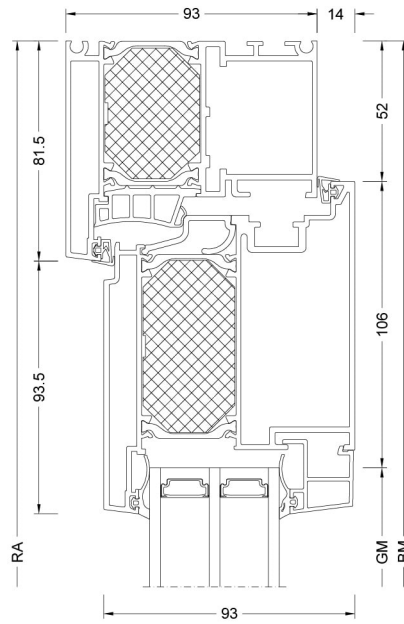
# ALUMINIUM-FRONT DOOR AT 500

## Cuts

Schnitt unten / Section - bottom

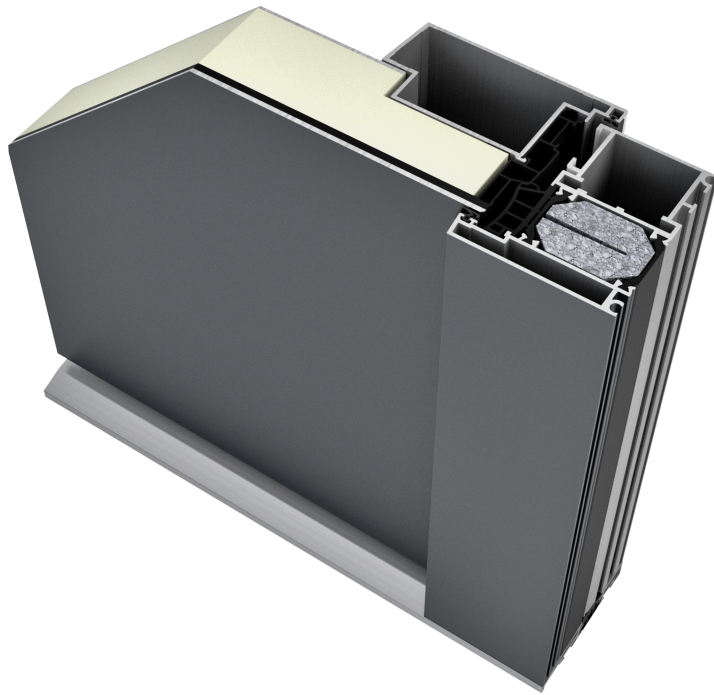


Schnitt seitlich, oben / Section - side top





- BM Bestellmaß / Ordering size
- FOK Fußbodenoberkante / Finished floor level
- GM Glasmaß / Glass size
- RA Rahmenseitenmaß / Outside frame size
- TM Teilungsmaß / Division size

# AT 520 ALUMINIUM-FRONT DOOR





## CHARACTERISTICS

 **Thermal insulation** (in W/m<sup>2</sup>K)  
U<sub>D</sub> up to 0,80

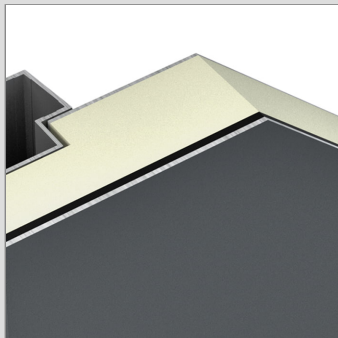
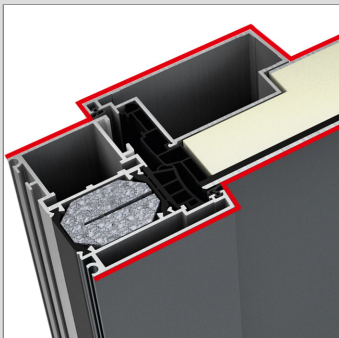
 **Sound reduction** (in dB)  
up to 32

 **Security**  
up to RC2

 **Locking**  
Multi-locking

 **Profile depth** (in mm)  
93

**I-tec Open**

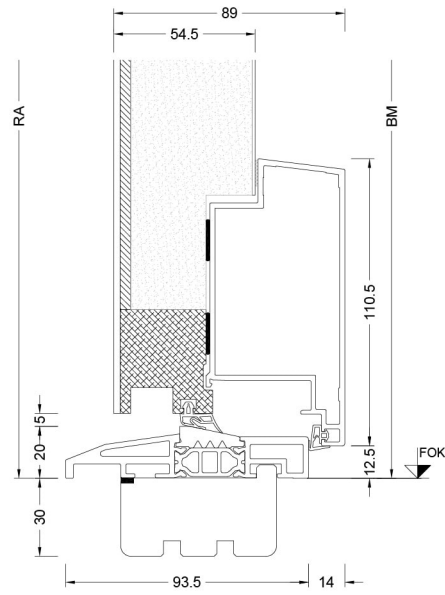


The design comprises a square edged design with a flush door sash on the outside and profiled detail on the inside. The insulating foam core ensures excellent climatic stability. Easy care and cleaning thanks to smooth sash rebate. Standard 5-point locking provides maximum security.

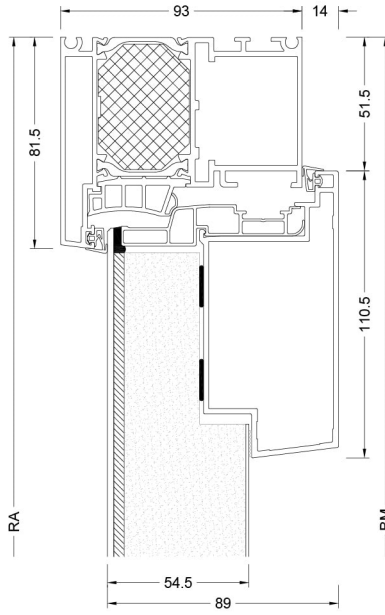
# ALUMINIUM-FRONT DOOR AT 520

## Cuts

Schnitt unten / Section - bottom



Schnitt seitlich, oben / Section - side top





- BM Bestellmaß / Ordering size
- FOK Fußbodenoberkante / Finished floor level
- GM Glasmaß / Glass size
- RA Rahmenseitenmaß / Outside frame size
- TM Teilungsmaß / Division size

# AT 530 ALUMINIUM-FRONT DOOR





## CHARACTERISTICS

 **Thermal insulation** (in W/m<sup>2</sup>K)  
U<sub>D</sub> up to 0,69

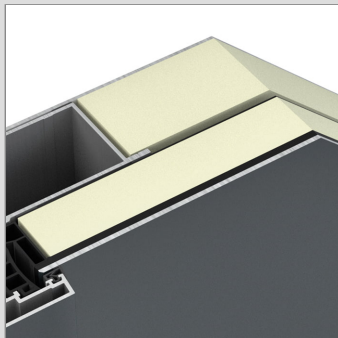
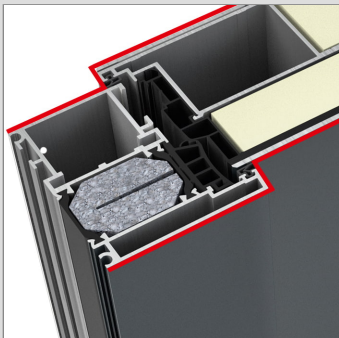
 **Sound reduction** (in dB)  
up to 34

 **Security**  
up to RC2

 **Locking**  
Multi-locking

 **Profile depth** (in mm)  
93

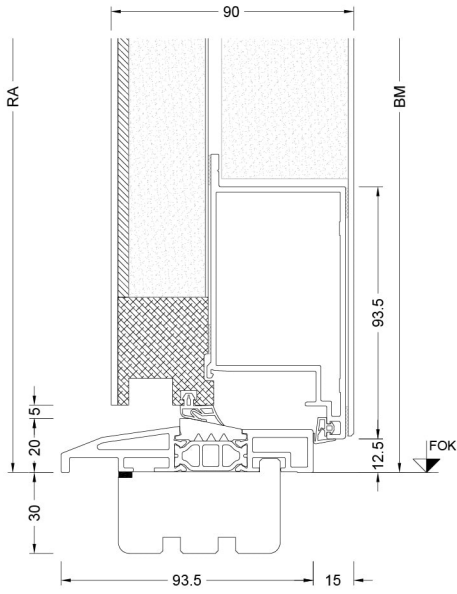
**I-tec** Open



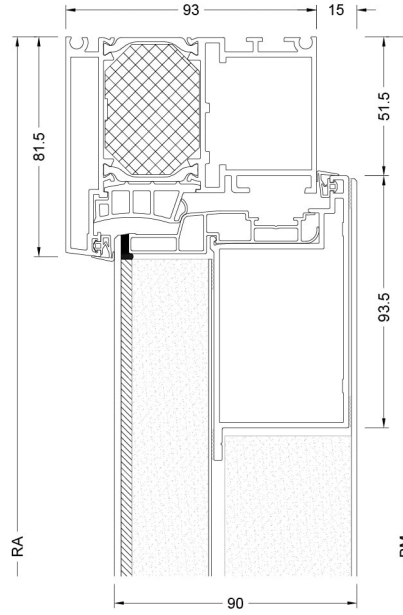
The design of the entire door sash is flush with a square edge towards the frame both inside and outside . 3-chamber frame profile with insulating foam core provides maximum thermal insulation. A wide range of options and customised designs are available. Standard 5-point locking provides maximum security.

## Cuts

Schnitt unten / Section - bottom



Schnitt seitlich, oben / Section - side top





- BM Bestellmaß / Ordering size
- FOK Fußbodenoberkante / Finished floor level
- GM Glasmaß / Glass size
- RA Rahmenseitenmaß / Outside frame size
- TM Teilungsmaß / Division size

# AT 540 ALUMINIUM-FRONT DOOR




## CHARACTERISTICS

 **Thermal insulation** (in W/m<sup>2</sup>K)  
U<sub>D</sub> up to 0,75

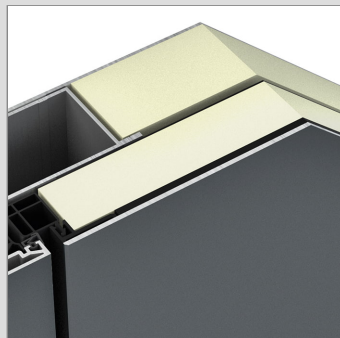
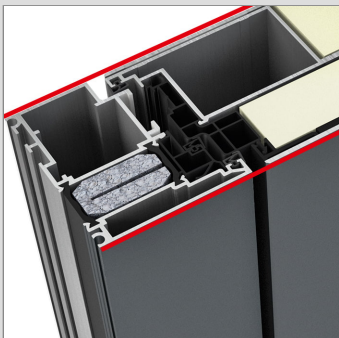
 **Sound reduction** (in dB)  
up to 35

 **Security**  
up to RC2

 **Locking**  
Multi-locking

 **Profile depth** (in mm)  
93

**I-tec** Open

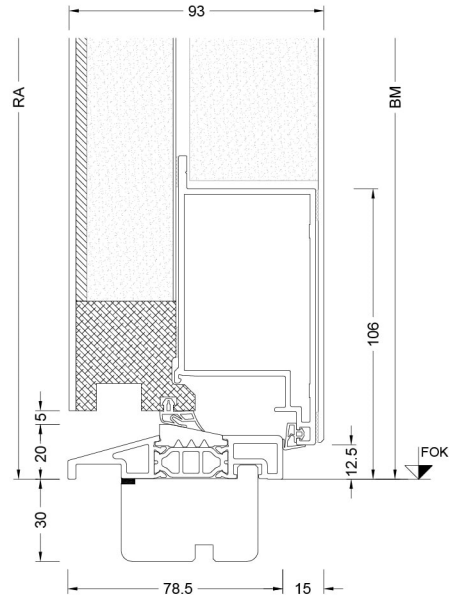


The design of this door is completely flush both inside and outside, making it perfectly suited to modern and unique architecture.

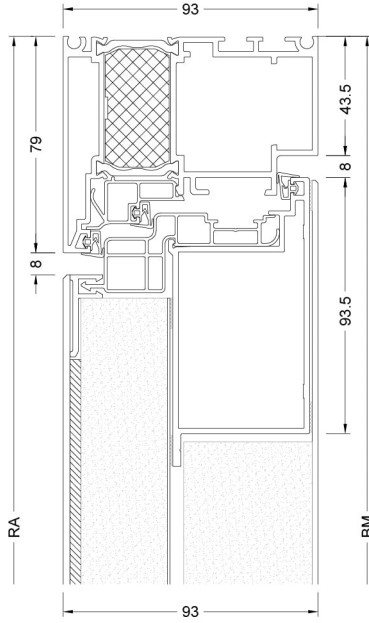
The concealed door hinge is integrated as standard. The two chambers with insulated foam core ensure excellent climatic stability. Standard 5-point locking provides maximum security.

## Cuts

Schnitt unten / Section - bottom



Schnitt seitlich, oben / Section - side top



- BM Bestellmaß / Ordering size
- FOK Fußbodeneoberkante / Finished floor level
- GM Glasmaß / Glass size
- RA Rahmenseitenmaß / Outside frame size
- TM Teilungsmaß / Division size